

Piedmont

STYLE K / KL LOW PRESSURE

Nominal size	Working pressure
¾" – 2"	450 psi (31 bar)
2.5" – 4", 76.1mm	300 psi (20 bar)
6" – 16"	350 psi (24 bar)

TYPICAL APPLICATIONS

1. SWRO desalination :
permeate racks, fresh water.
UF modules. Concentrate &
feed side of BWRO systems.



2. Oil & Gas offshore
platforms seawater treatment:
sulfate removal units,
permeate lines.



Housings

Standard:

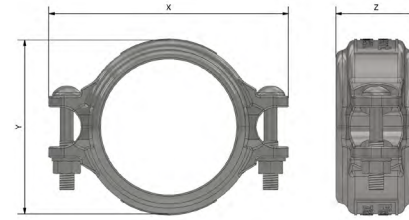
-316 stainless steel, Grade CF8M (UNS # J92900)
conform to ASTM A351/A351M requirements.
PREN~26.

Optional:

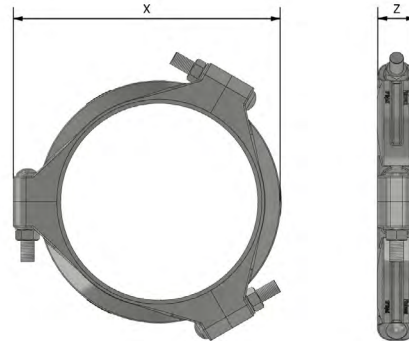
-316L stainless steel, Grade CF3M (UNS # J92800)
conform to ASTM A351/A351M requirements.
PREN~26.

Other alloys are also available;
contact Piedmont for details.

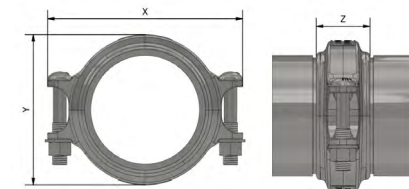
Code DS-FC-K, Rev. 2024-09



Sizes: ¾" to 14"

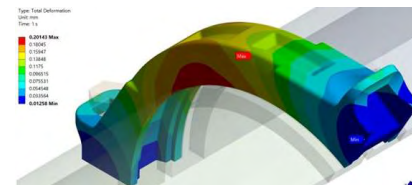


Sizes: 16"



Style KL -76.1mm :

Previously referenced as Style J 76.1
for TORAY UF modules



FLEXIBLE PIPE COUPLINGS

PRODUCT DATA SHEET

STYLE K / KL SPECIFICATIONS

Nominal sizes: Inch (DN mm)	Pipe OD: Inch (mm)	Dimensions Inch (mm)			Approx. Weight lb (kg)	Working pressure PSI (bar)	Bolts & Nuts / Qty - size
		X	Y	Z			
¾" (DN20)	1.050" (26.67)	1.82 (46.2)	2.90 (73.7)	1.68 (42.7)	0.63 (0.28)	450 (31)	2 - M8 x 50
1" (DN25)	1.315" (33.40)	2.18 (55.4)	3.50 (89.0)	1.70 (43.2)	0.72 (0.33)	450 (31)	2 - M8 x 50
1-1/4" (DN32)	1.660" (42.16)	2.42 (61.5)	3.60 (91.4)	1.70 (43.2)	0.77 (0.35)	450 (31)	2 - M8 x 50
1-1/2" (DN40)	1.900" (48.26)	2.66 (67.6)	3.79 (96.3)	1.70 (43.2)	0.79 (0.36)	450 (31)	2 - M8 x 50
2" (DN50)	2.375" (60.33)	3.14 (79.8)	4.13 (104.9)	1.70 (43.2)	0.85 (0.39)	450 (31)	2 - M8 x 50
2-1/2" (DN65)	2.875" (73.03)	3.68 (93.4)	4.99 (127)	1.70 (43.2)	0.86 (0.39)	300 (20)	2 - M10 x 60
KL 76.1 mm	(76.10)	3.68 (93.4)	4.99 (127)	1.70 (43.2)	(0.41)	300 (20)	2 - M10 x 60
3" (DN80)	3.500" (88.90)	4.26 (108.2)	5.64 (143.1)	1.85 (47.0)	1.09 (0.49)	300 (20)	2 - M10 x 60
4" (DN100)	4.500" (114.30)	5.56 (141.2)	7.27 (184.7)	2.02 (51.3)	2.05 (0.93)	300 (20)	2 - M12 x 80
6" (DN150)	6.625" (168.28)	7.80 (198.1)	9.75 (247.7)	1.90 (48.3)	5.11 (2.32)	350 (24)	2 - M14 x 110
8" (DN200)	8.625" (219.08)	9.94 (252.5)	12.13 (308.1)	2.25 (57.2)	8.71 (3.95)	350 (24)	2 - M16 x 130
10" (DN250)	10.750" (273.05)	12.12 (307.8)	14.26 (362.2)	2.25 (57.2)	11.07 (5.02)	350 (24)	2 - M16 x 130
12" (DN300)	12.750" (323.85)	14.18 (360.2)	16.26 (413.0)	2.25 (57.2)	12.64 (5.73)	350 (24)	2 - M16 x 130
14" (DN350)	14.000" (355.60)	16.45 (417.7)	20.30 (515.7)	2.99 (75.8)	45.89 (20.81)	350 (24)	2 - M27 x 170
16" (DN400)	16.000" (406.40)	18.97 (481.8)	-	2.94 (74.7)	67.76 (30.73)	350 (24)	3 - M27 x 170

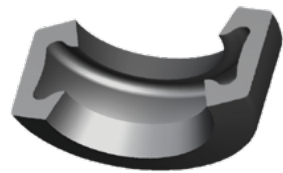
18" , 20" and 24" coupling size available upon request, contact Piedmont for details.

Working pressure¹: Working pressures have been determined based on generally accepted standard specifications for performance of gasketed mechanical couplings, in accordance with ASTM F1476 and/or ANSI AWWA C606, and are applicable for schedule 40s pipes with cut grooves only. For use on pipes thinner than schedule 40s and for roll grooves, please consult with Piedmont. Pipe's schedule, working pressure and material must comply with the requirements of ASME B31.1.

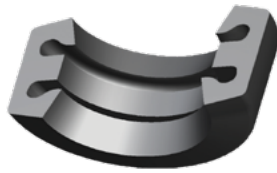
Gaskets

- EPDM rubber, suitable for hot and cold water services. Peroxide cured manufactured to improve resistance against chloramines.
- Two shapes of gaskets are available: C-shaped or Flush-fit.
- NSF/ANSI 61 approved or equivalent (FDA) for drinking water system components. Not suitable for petroleum service.
- Other materials (Nitrile, Viton) are also available, contact Piedmont for details.

GASKET TYPES



C-SHAPED



FLUSH-FIT

Hardware

a) Design:

1. Standard components are iso metric thread type.
 - Bolts are round-head oval neck track bolts (own design based on DIN-5903)
 - Nuts are according to DIN-934 (ISO-4032).
 - Washers are according to DIN-125 (ISO 7089).
 - Hexagonal head bolts (DIN-931/933) also used in 14" - 16" couplings.
2. Optional:
 - Threaded rods (DIN-976) for sizes up to 6" available upon request.
 - Inches series thread components available upon request.

b) Material:

1. Standard:
 - SS316L bolts & SS316 nuts & washers as per ASTM A276 (PREN>23).
2. Optional:
 - SS Duplex 2205 / S32205 as per ASTM A1082 (PREN>35)
 - It is recommended to improve against chloride stress cracking, crevice and pitting bolts corrosion.
 - SS Super duplex 2507 / S32750 or S32760 (Zeron-100) as per ASTM A1082 (PREN>40)
 - Silicon bronze nuts (ASTM B98 C65100) avoid the use of any additional antigalling paste on stainless steel bolts.
 - Antigalling / antiseize dry lubricated bolts/rods & nuts (Gleitmo 615 or similar).

c) Isolation washer (optional):

In addition to duplex / super duplex material bolting upgrading, to improve against bolting crevice corrosion, some isolation washers are available upon request.

Standard Quality Certificates

Piedmont is ISO 9001:2015 certified.

The following quality certificates are provided with the order:

- EN10204 3.1 metallic components (castings, hardware)
- EN10204 2.2 certificate for EPDM gaskets
- EN10204 2.1 PO certificate of conformity

ADDITIONAL INFORMATION

Quality Tests (optional)

[Consult our website](#)

Complementary Products

[Consult our website](#)

Coatings (optional)

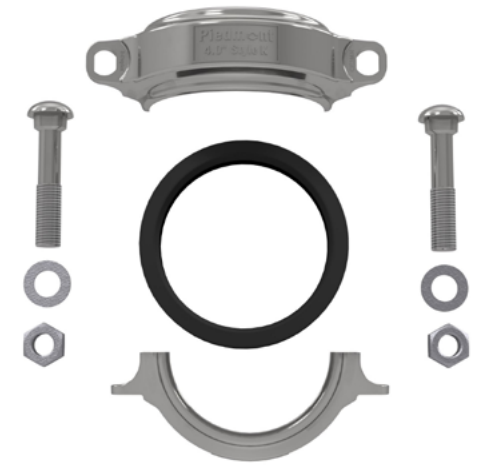
[Consult our website](#)

Installation Manual

[Link to PDF file](#)

Spare Parts

[Consult our website](#)



STYLE K/KL